

Sink Triplo Invaso Workstation

Kitchen Sinks

Code: 1491 059 - Filotop



DETAILS

Edge/Installation Type	Flush-mount Top-mount
Finish	Foster brushed
Material	AISI 304 stainless steel
Texture	Foster brushed
Base	80 cm
Dimensions	835x515 mm
Standard fittings	Fixing hooks, gasket, drain, overflow and siphon, boxed packing
Mixer holes	3 standard holes
Built-in hole	View technical data sheet

Drainer	No
Width	84 cm
Bowl dimension	710 x 400 mm
Number of bowls	1 bowl
Waste fitting	Drain with automatic control SPACE (PUSH)

EQUIPMENT

1 x Eclipse mixer tap 8499 000
2 x Black grid 8100 603
1 x Space Push automatic
waste fitting 8407 116

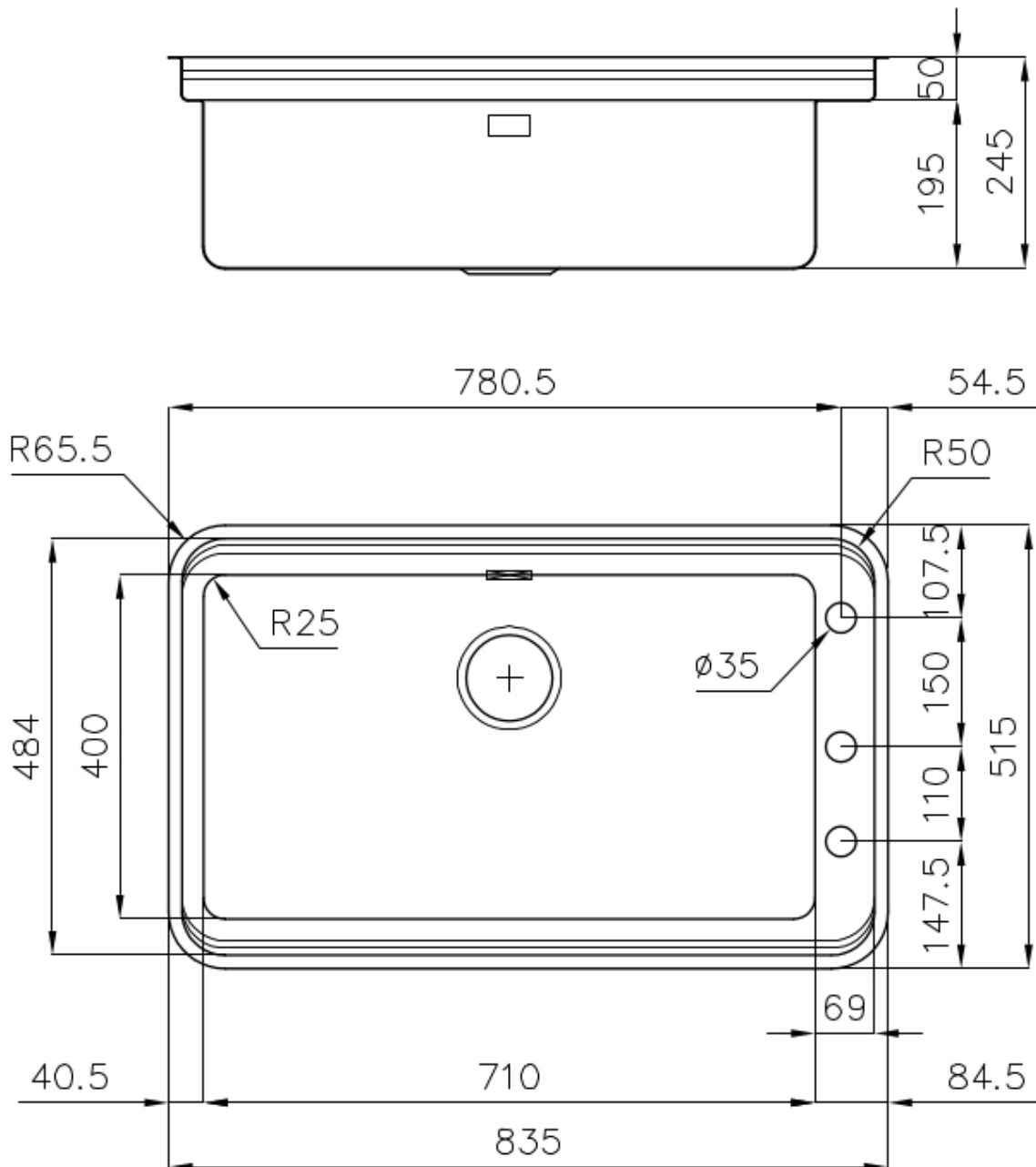
FEATURES

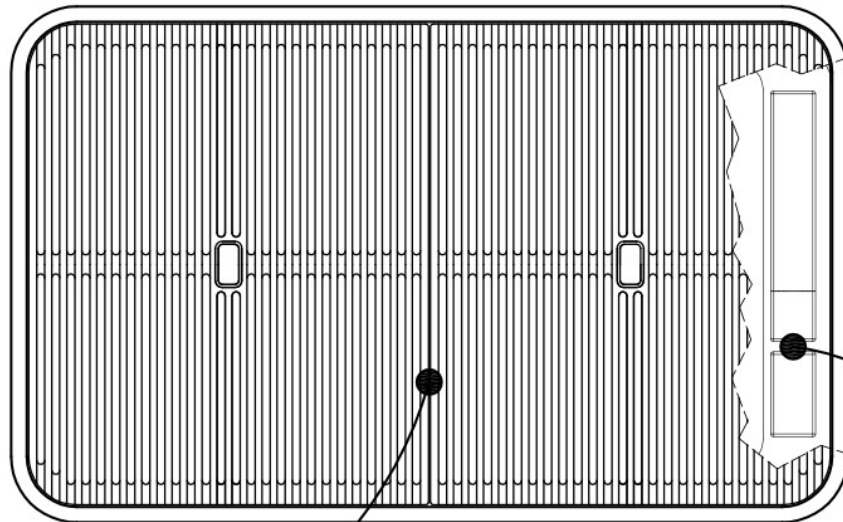
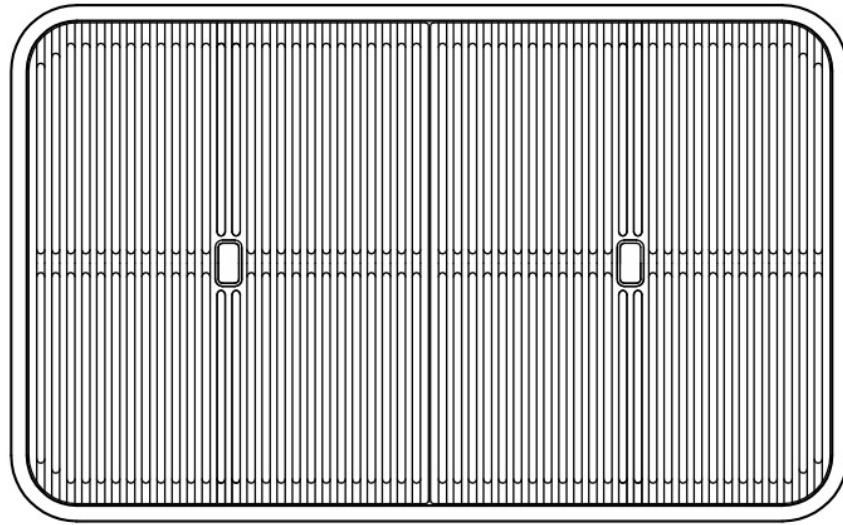
Automatic waste fitting	The waste-fitting with round remote knob is supplied; a practical accessory which makes it unnecessary to get wet in order to drain the water from the bowl.
Deep bowls	This bowls reach an important depth, over 20 cm, thanks to the advanced production technology, that can be offer great capieny and praticity in all the washing operations.
Perimetral overflow	The overflow is always a security on the Foster sinks that prevents the overflow of water in case of oversights. The perimeter drain solution improves aesthetics thanks to its square and essential shape.
Small radius	Bowls with squared shapes with a modern design and an increased capacity, for a minimal aesthetics connected with an extreme praticity.
Space waste fitting	The elegant SPACE steel cap closes the drain and leaves no visible residues collected in the basket below. Space also has a small footprint and allows the optimal use of the under-sink compartment.

three-step system

An ingenious design that makes it simple to use a large set of optional accessories. On the topmost supporting step, the innovative Black grids slide, creating a large and practical surface to rinse food and crockery. The second step is meant to support and allow the sliding of a complete combination of accessories, which make some operations practical and safe: rinse, drain, slice, grate... everything can be done inside the sink. The new Black grids strongly characterize aesthetics and functionality. Hygienic, with great lightness, resistance and ease of cleaning, they are also 100% ecological, a respectful choice for nature and the environment that surrounds us.

TECHNICAL DATA





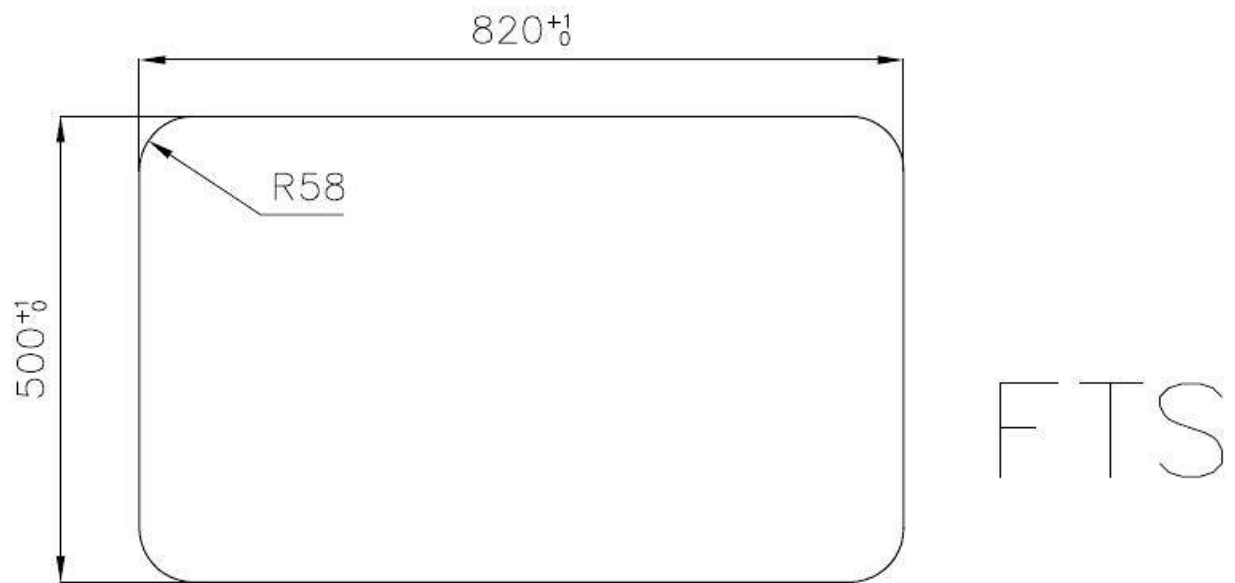
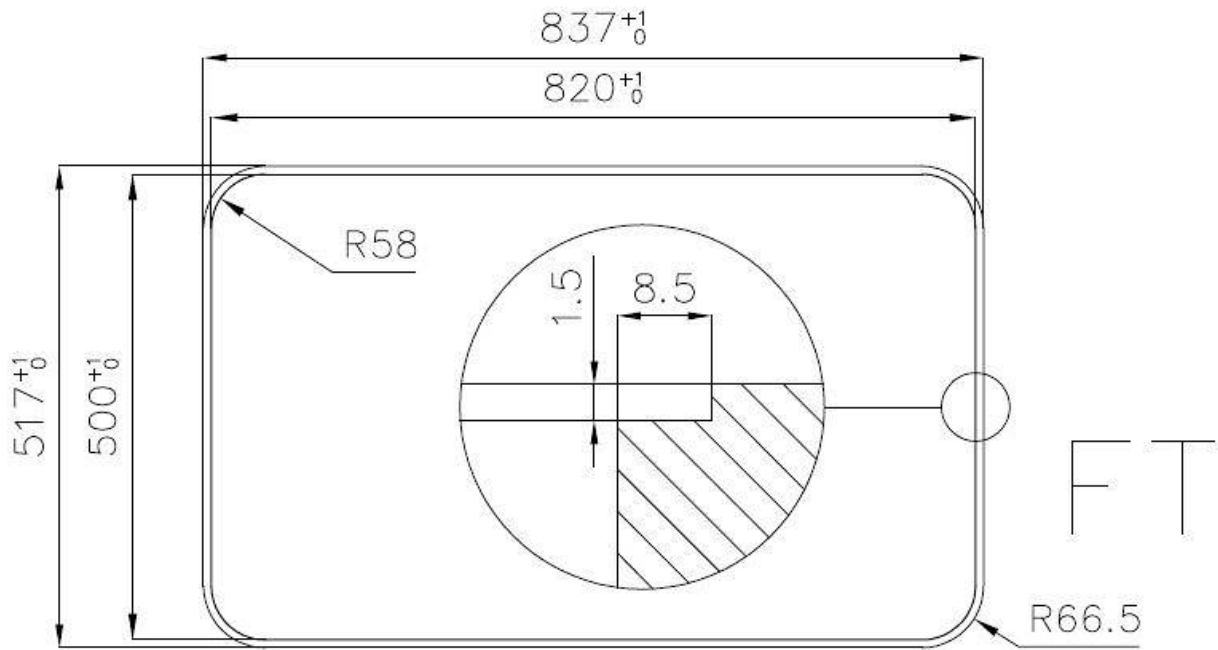
8100 603

Grid
Griglia
x2

8499 000

Mixer tap
Miscelatore

Lavello / Sink cod. 1491 059



GALLERY



EQUIPMENT



Mixer Tap Eclipse
8499 000



Space Push automatic waste fitting
- PP
8407 116



Black grid
8100 603

OPTIONAL ACCESSORIES



Cestello inox
8612 000



Glass chopping board
8631 300



HPDE Chopping board
8657 001



Iroko-wood chopping board
8643 115



Stainless steel plate rack
8100 115



White bowl
8153 100